

## ML212 Concealed Stainless Steel Double Robe Hook

### Material Specifications

- #304 Stainless Steel Body
- Welded Hook to support Arm and Mounting Bracket

### Mounting

- Concealed Screw Fix

### Dimensions

- 92mmW x 52mmH x 65mmD

### Finish

- **ML212S:** Satin Stainless Steel
- **ML212B:** Polished Stainless Steel

### Installation Guidelines

- *May be subject to Australian Building Code Regulations for able bodied and/or disabled use. It is recommended that any individual unit is installed whereby it clears any other fixtures by at least 150mm and not carry loads any greater than 8kg.*

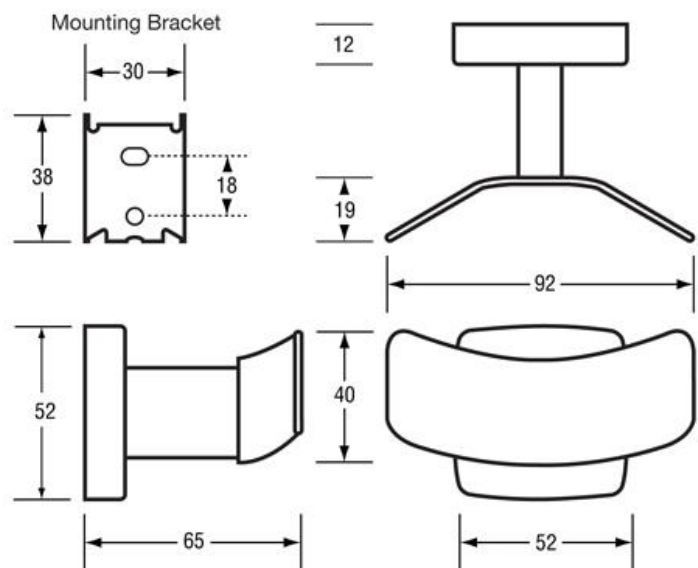
1. To remove wall mount bracket from the back of the hook, loosen the set screw using an Allen key (not provided).
2. Locate fixing position on wall or partition and mark using mounting holes, ensuring hook is level.
3. Fix the wall mount bracket to the wall or partition using the screws and wall plugs provided. Ensure that the bracket is facing the correct way (the bracket should be curving away from the wall and the prongs facing upwards).
4. Slide the hook onto the wall mount bracket, ensure the prongs are fitted into the allotted spaces on the back of the coat hook.
5. Check the unit is level and ensure the set screw is fully tightened to finish installation.



\*ML212S



\*ML212B



This product is AS1428.1 compliant (accessible compliant) when installed in accordance with the guidelines.

*The technical recommendations contained in this document are necessarily of a general nature and should not be relied on for specific applications without first securing competent advice. Whilst Metlam Australia Pty Ltd has taken all reasonable steps to ensure the information contained herein is accurate and current, it does not warrant the accuracy or completeness of the information and does not accept liability for errors or omissions. Any Commercial product should only be installed by a competent tradesperson and serviced/maintained by knowledgeable janitorial staff or competent people. Metlam Australia accepts no responsibility for any damage to product, walls or fixtures due to incorrect installation or maintenance of any of their products.*

The photographs and line drawings of the products presented above are representational only. Metlam Australia Pty Ltd reserves the right to, and from time to time, make changes and improvements in design and dimensions.